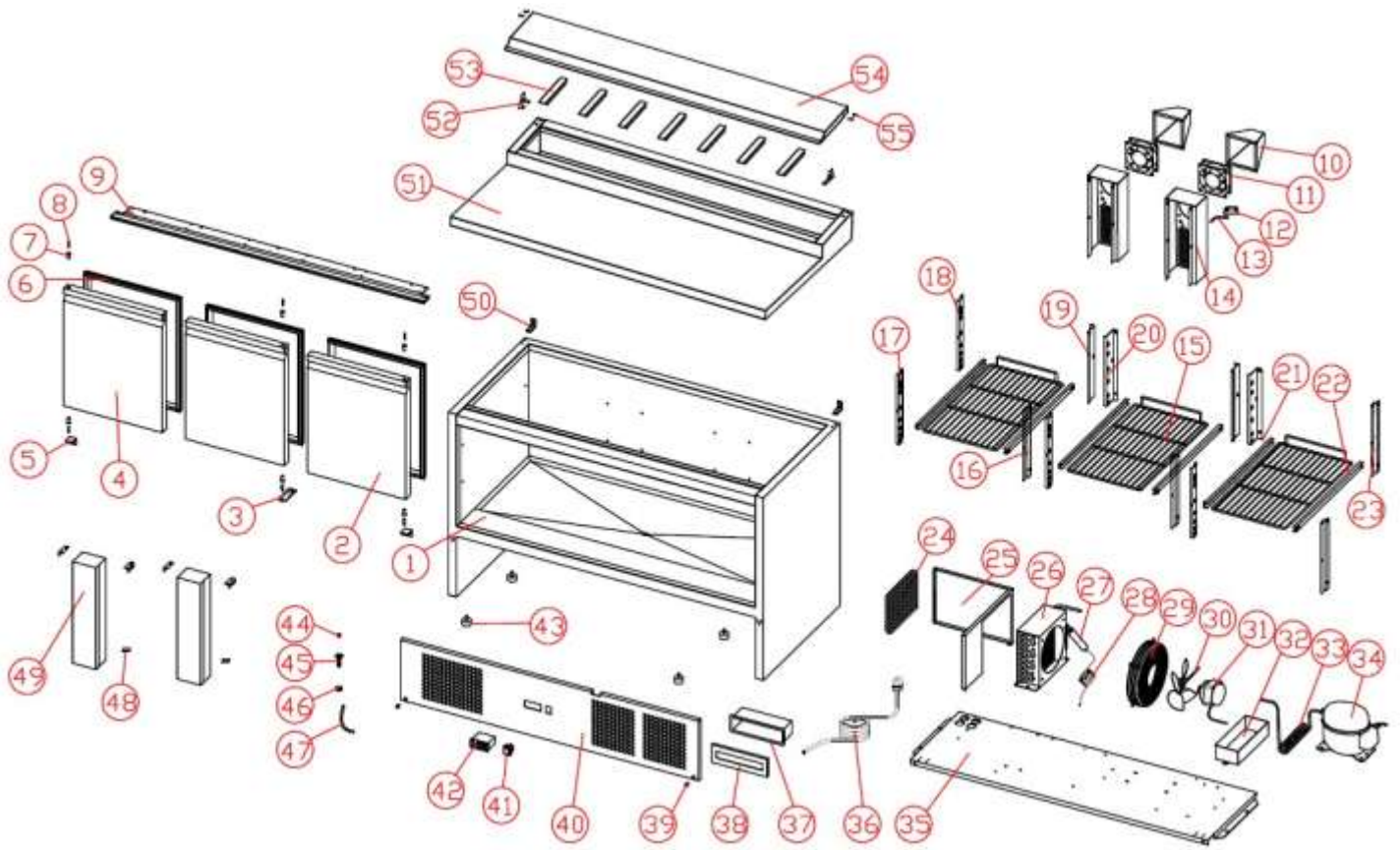


СТОЛ ДЛЯ ПИЦЦЫ TATRA TPZGNL3 VC



СТОЛ ДЛЯ ПИЦЦЫ TATRA TPZGNL3 VC

1	CABINET	GXE-0-000-0021-0	1
2	DOOR(RIGHT)	GXE-0-000-0095-0	2
3	BOTTOM MIDDLE HINGE	GXE-2-001-0103-0	1
4	DOOR(LEFT)	GXE-0-000-0080-0	1
5	BOTTOM HINGE	GXE-2-001-0090-0	2
6	DOOR GASKET	16401390494	3
7	DOOR AXIS SLEEVE	16353010008	6
8	HINGE AXIS	12515035728	6
9	UPPER HINGE	GXE-2-001-0104-0	1
10	AIR GUIDE COVER	16356010001	2
11	EVA. FAN	17701151238	2
12	PROBE COVER	GXE-2-001-0286-0	1
13	PROBE	17649490013	1
14	FAN BASE	GXE-2-001-0091-0	2
15	SHELF	12502012759	3
16	BEAM HANG STRIP(RIGHT)	GXE-2-001-0094-0	3
17	BEAM HANG STRIP(LEFT)	GXE-2-001-0093-0	3
18	SIDE REAR HANG STRIP(LEFT)	GXE-2-001-0097-0	1
19	REAR HANG STRIP(RIGHT)	GXE-2-001-0096-0	2
20	REAR HANG STRIP(LEFT)	GXE-2-001-0095-0	2
21	LEFT SHELF GUIDE	GXE-2-001-0037-0	3
22	RIGHT SHELF GUIDE	GXE-2-001-0036-0	3
23	SIDE REAR HANG STRIP(RIGHT)	GXE-2-001-0098-0	1
24	DRYER FILTER	16324020001	1
25	WIND COVER	GXE-2-001-0099-0	1
26	CONDENSER	17303090210	1
27	DRYER FILTER	17111250145	1
28	CAPILLARY	15804042410	1
29	COND.FAN COVER	22726010002	1
30	COND. FAN BLADE	16381738082	1
31	COND. FAN MOTOR	22752520010	1
32	OUTER DRAIN PAN	16316130004	1
33	HIGH PRESSURE PIPE	17116060006	1
34	COMPRESSOR	17209010031	1
35	COOLING UNIT BOARD	GXE-2-001-0100-0	1
36	POWER CORD	17664640059	1
37	PLASTIC WATER-PROOF BOX	16316130001	1
38	PLASTIC WATER-PROOF BOX COVER	16316130002	1
39	LARGE PLASTIC BUTTON	16369390066	2
40	PANEL	GXE-2-001-0102-0	1
41	POWER SWITCH	17749210020	1
42	CONTROLLER	17709030002	1
43	FEET	12534010009	4
44	WATER PLUG	16369140901	1
45	DRAIN-PIPE	15810020901	1
46	DRAIN-PIPE BUT	16365050901	1
47	PVC DRAIN-PIPE	GXE-2-005-0005-0	1
48	MIDDLE BEAM CONNECT	GXE-2-001-0017-0	6
49	MIDDLE BEAM	GXE-0-000-0096-0	2
50	TOP FIXING PLATE	GXE-2-001-0092-0	2
51	COUNTER TOP	GXE-0-000-0038-0	1
52	HINGE AXIS BASE	GXE-2-001-0283-0	2
53	CACHEPOT	GXE-2-001-0174-0	7
54	COVER	GXE-2-001-0174-0	1
55	COVER AXIS	12515010003	4